

Item number: **GPS.22.995.10000/B**

Revision: **00** · Date: **08 - 2023**

GPS mount for cockpit

 ~ 0.5 h.

EASY     DIFFICULT

ENGLISH Thank you for choosing this premium product from SW-MOTECH. Visit our online shop for more information (e.g. model assignments). Required documents (e.g. national type approval) are available there for you to download.

Please read and understand all the instructions, safety information and warnings in these mounting instructions before mounting and using the product in order to avoid injury and damage. Keep these mounting instructions for reference.

This product was developed for vehicles in factory condition. Compatibility with original accessories or accessories from other manufacturers cannot be guaranteed.

These mounting instructions have been prepared to the best of our current knowledge. No legal claims relating to accuracy can be made. Errors and omissions excepted. We reserve the right to make technical and design changes. The copyright is held by SW-MOTECH.

SAFETY WARNING SYMBOL

 This warning symbol is used in these mounting instructions to warn of deadly dangers, injuries or other hazards. The words **DANGER**, **WARNING** or **CAUTION** are used as part of this warning symbol to convey important safety messages and information relating to the installation and use of this product. These words, together with the safety warning symbol, mean:

 **DANGER:** Indicates a hazardous situation which, if not avoided, will result in death or serious injury!

 **WARNING:** Indicates a hazardous situation which, if not avoided, may result in death or serious injury!

 **CAUTION:** Indicates a hazardous situation which, if not avoided, may result in minor or moderate injury!

 **NOTE:** Important information, but not relating to a risk of death or injury (property damage only)!

GENERAL INFORMATION

 **WARNING:** Assembly and/or maintenance of this product requires advanced technical skill, appropriate tools, and a good understanding of tool usage and torque specifications. For your own safety, SW-MOTECH recommends having the assembly and/or maintenance carried out by a qualified and certified motorcycle workshop.

 **WARNING:** If you do choose to assemble this product yourself, carefully and fully read the mounting instructions before assembly and use, and follow all instructions to avoid serious injury or death. Also observe all relevant information in the vehicle manual when mounting or using the product. IF YOU DO NOT UNDERSTAND ANY PART OF THESE MOUNTING INSTRUCTIONS OR NEED AN EXPLANATION AS TO A SPECIFIC INSTRUCTION, DO NOT ATTEMPT TO INSTALL THIS PRODUCT WITHOUT CONSULTING SW-MOTECH FOR ASSISTANCE!

PREPARATION: Read the mounting instructions carefully and make sure that all parts on the parts list are available.

 **CAUTION:** Ensure that your vehicle is standing securely. Switch off the engine and remove the ignition key. Allow the engine/exhaust to cool down if necessary. Disconnect the battery when working on the electrical system. Only use proper tools and always wear safety goggles and gloves during assembly and maintenance. Have a second person help you with assembly and maintenance.

ASSEMBLY: All parts and connections removed from the vehicle must be reinstalled according to the vehicle manufacturer's specifications or replaced with parts and hardware supplied by SW-MOTECH.

 **WARNING:** Secure all threads with a medium-strength liquid threadlocker, unless otherwise specified.

 **DANGER:** Tightening torques not defined by SW-MOTECH must be obtained from the vehicle manufacturer or a certified motorbike workshop.

FUNCTIONAL CHECK: After mounting the product, ensure that no moving parts are obstructed and that the function of the vehicle is not impeded. Cables and hoses must not rub against each other and/or be hindered in any way.

 **WARNING:** Carry out a comprehensive functionality check before you start to drive. Check the tightening torque of all connections and the tight fit of the product after the first 50 km and then at regular intervals. Mounted accessories can change the handling and stability of the vehicle.



SW-MOTECH GmbH & Co. KG
Ernteweg 7-10
35282 Rauschenberg
Germany



 info@sw-motech.com
 www.sw-motech.com

LEGEND OVERVIEW - READ AND KEEP MOUNTING INSTRUCTIONS!



Take note of the symbols and what they mean in the ASSEMBLY section. If the term OEM appears in the ASSEMBLY section, the vehicle manufacturer's specifications must be observed and applied.



If you have any questions, please don't hesitate to contact our Customer Service team or our distributors. You can find our telephone number and a list of our distributors in our online shop:

www.sw-motech.com



Do not use thread lock: Indicates that no liquid thread lock should be used at this point.



Tighten/note the tightening torque information:

Indicates the tightening torque of a part specified by SW-MOTECH or the vehicle manufacturer (OEM).



Tighten by hand: Indicates that the attachment must be carefully tightened by hand.



Use thread locker: Indicates that a thread must be coated with liquid thread locker. H (HIGH): high strength; M (MEDIUM): medium strength; L (LOW): low strength.

PARTS LIST - READ AND KEEP MOUNTING INSTRUCTIONS!

1

1



GPS.00.085.500

 1/1

2



GPS.00.646.002

 1/1

3



M6 x 12; ISO 7380
SC.ST.06.012.02.7380.109

 2/2

4



∅ 6,4; DIN 6797
US.ST.064.02.6797A

 2/2

2

5



GPS.22.995.001.11

 1/1

6



GPS.00.646.001

 1/1

7



3,5 x 10
SC.PA.035.010.02.PT

 4/4

8



KFT.00.300.052/B

 1/1

5


9




M6 x 35; ISO 7380
SC.ST.06.035.02.7380.109

 1/1

10



∅ 14 / ∅ 6,4 / h 21
DB.00.140.064.021.02

 1/1

11



M6 x 45; ISO 7380
SC.ST.06.045.02.7380.109

 2/2

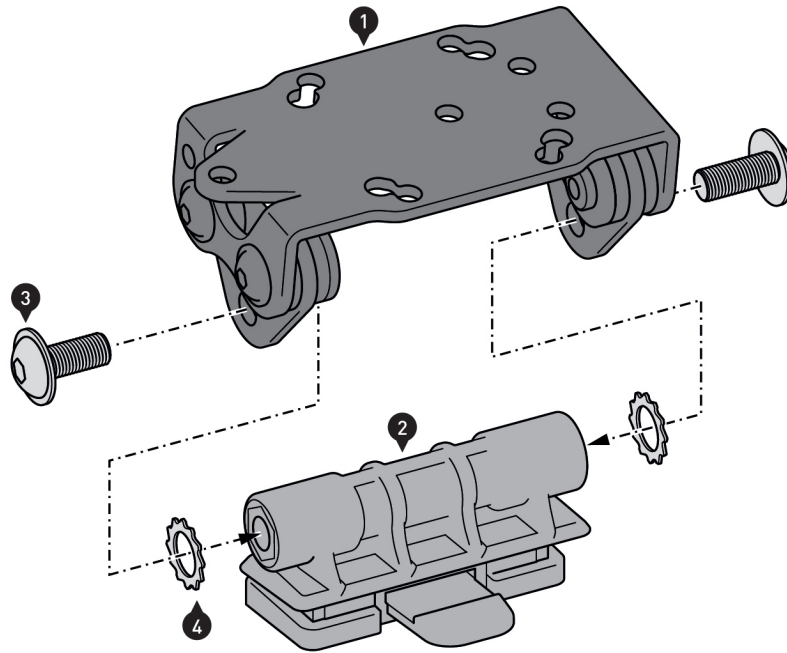
12



∅ 14 / ∅ 6,4 / h 30
DB.ST.140.064.030.02

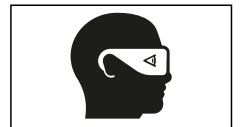
 2/2

1

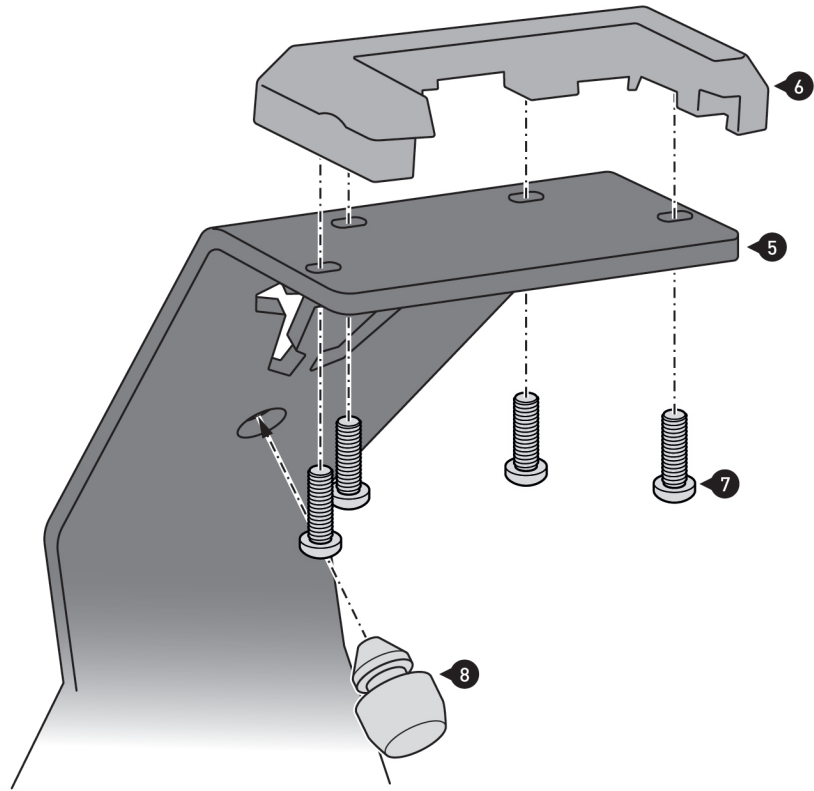
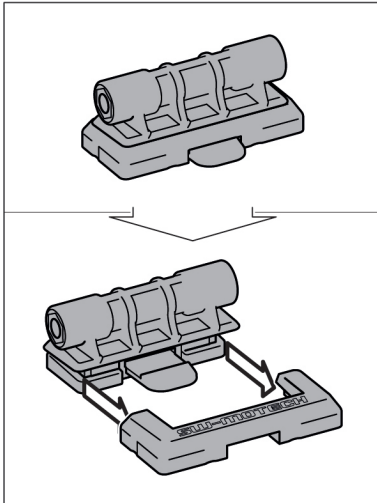


▲ WARNING: Always wear eye and hand protection!
▲ WARNING: Always use the proper tools!

Screw the GPS mount (1) to the slide-in frame (2).
 Do not tighten the screws (3) yet.



2

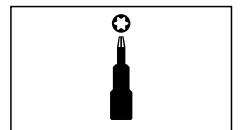
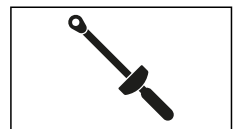
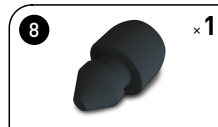


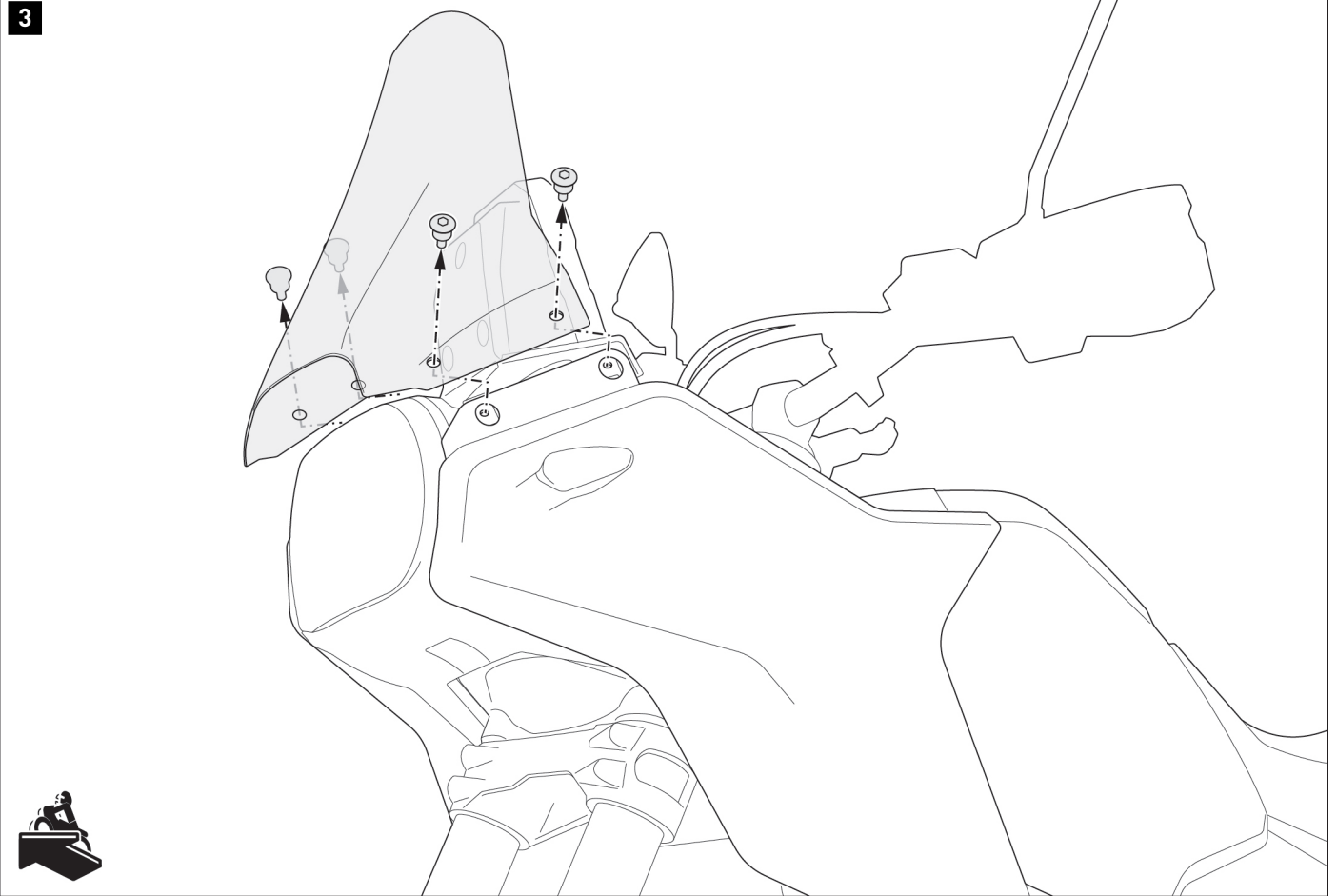
▲ NOTE: Holding frame (6) and slide-in frame (2) are delivered assembled!

Screw the holding frame (6) to the mounting bracket (5).
Hand-tighten the screws (7).

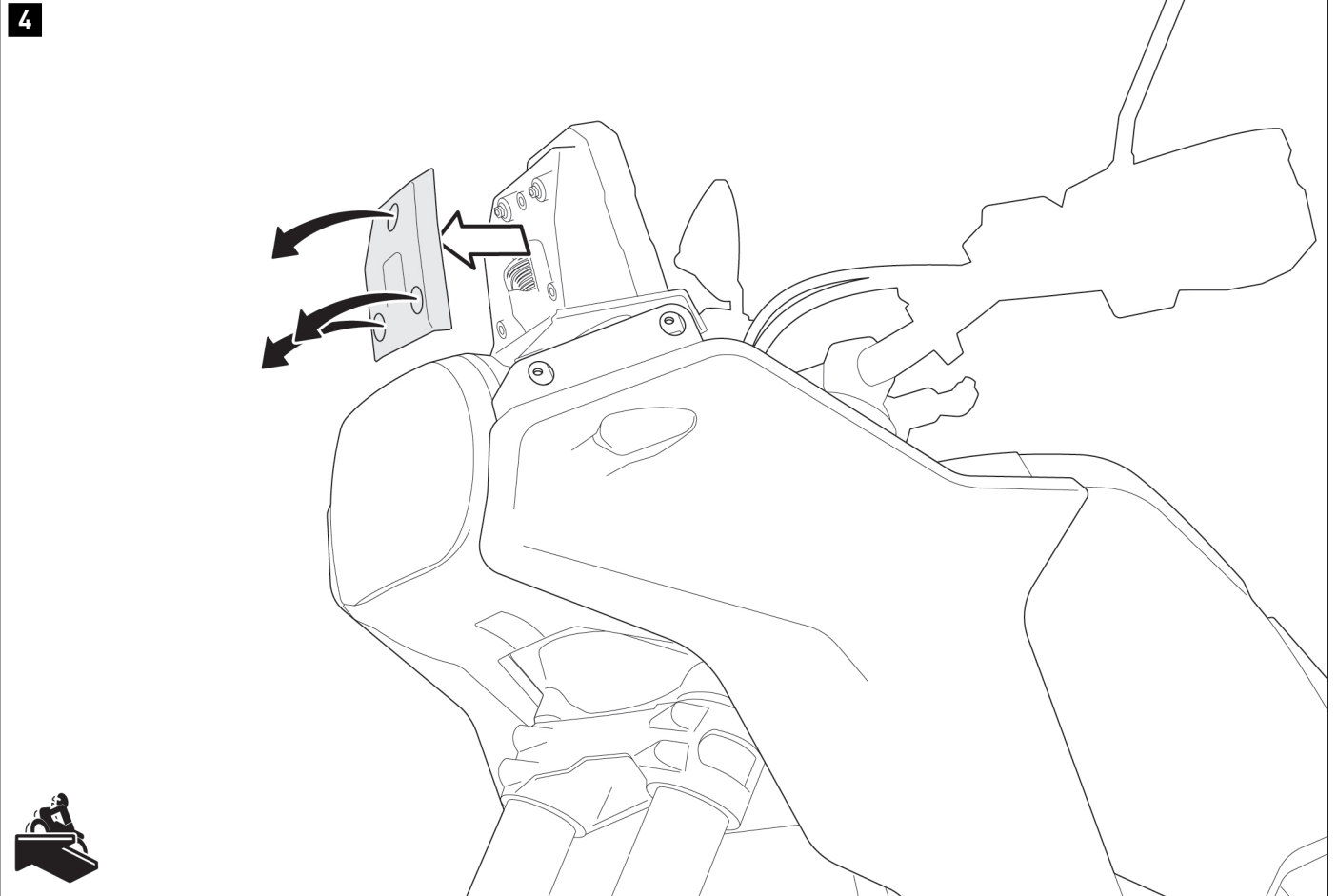
▲ CAUTION: Overtightening the screws will damage the plastic parts!

Insert the rubber damper (8) into the bracket (5).



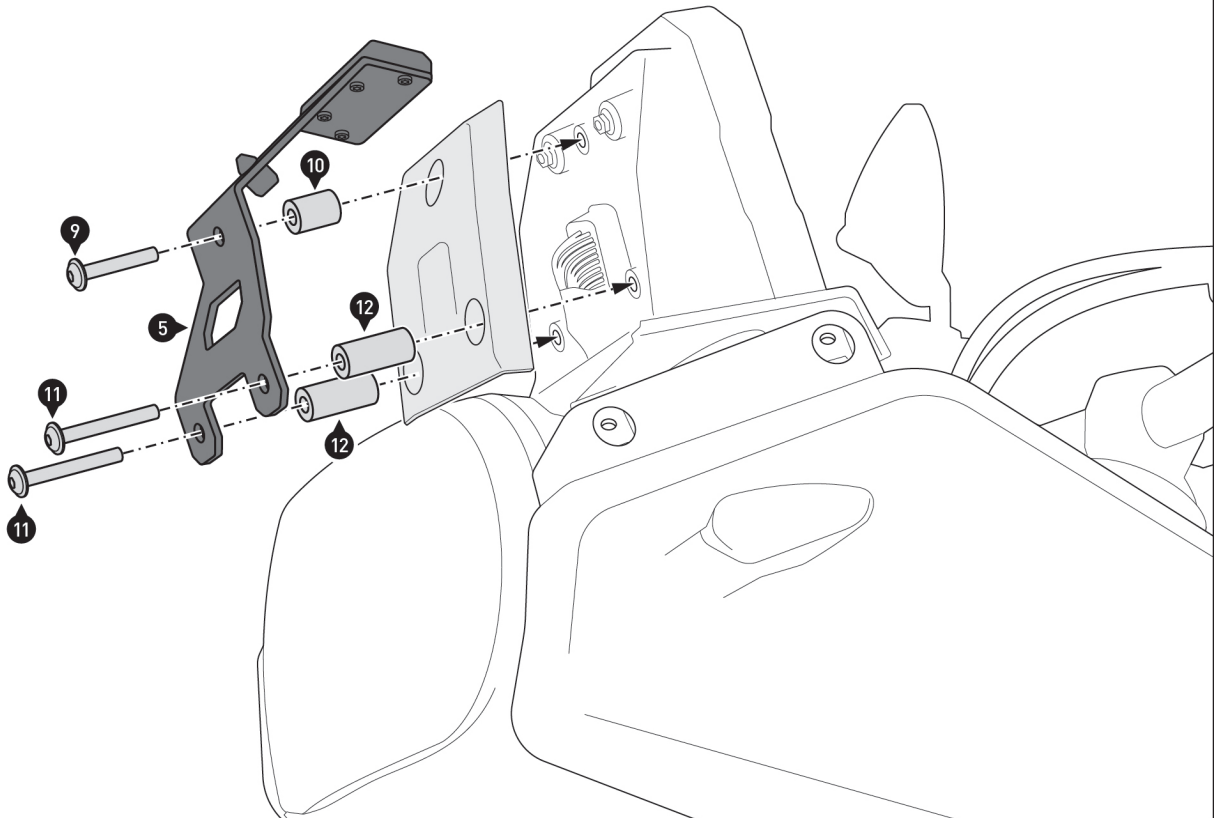


Unscrew the screws shown and remove the windscreen from the vehicle.



Unscrew the screws and remove the frame cap from the vehicle.

5



Screw the mounting bracket (5) to the vehicle.

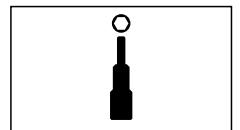
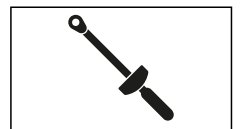
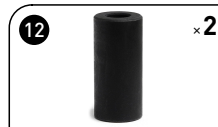
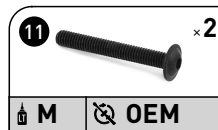
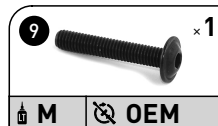
▲ WARNING: Use a liquid threadlocker!

Tighten the screws according to the manufacturer's instructions.

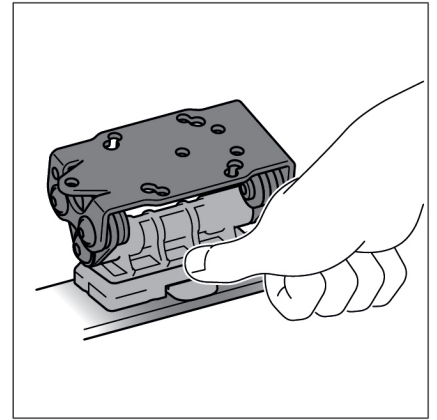
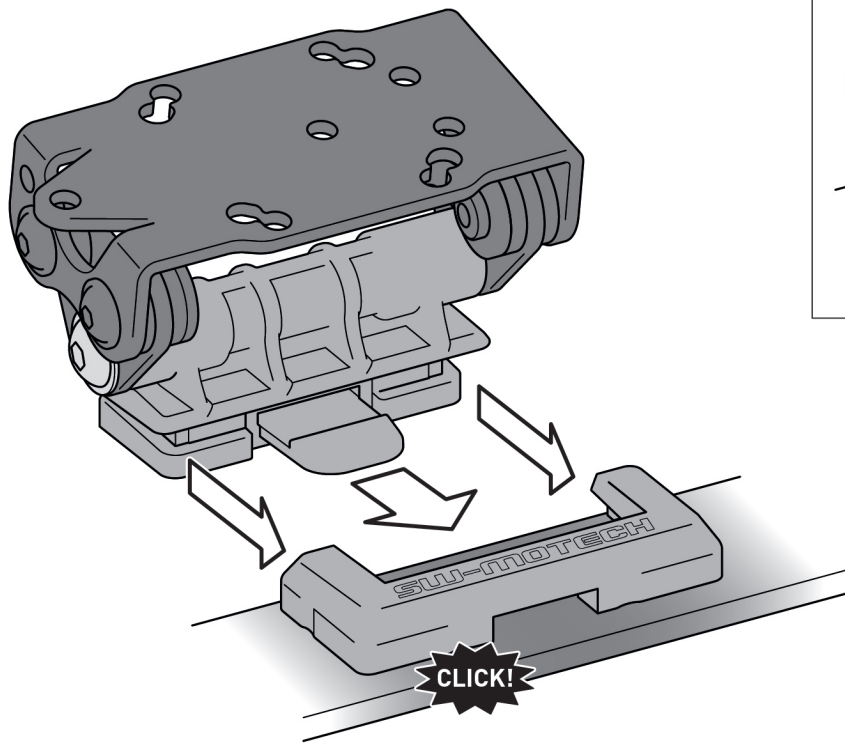
Then screw the windscreen back onto the vehicle.

▲ WARNING: Use a liquid thread locker that is suitable for plastic (e.g., LOCTITE 425)!

Tighten the original screws according to the manufacturer's instructions.



6



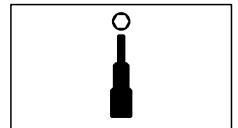
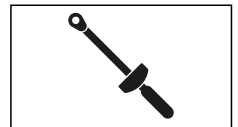
When inserting the GPS mount (1), pay attention to the clearly audible clicking noise.

After aligning the GPS mount (1), tighten the screws (3) as specified in the mounting instructions.

▲ WARNING: Before starting your journey, check that the GPS holder is firmly in place!

▲ WARNING: Make sure that after installing a GPS device, all instruments are clearly visible, and the fittings can be operated and moved without restrictions!

To release the GPS mount (1), press the tab shown in the detailed illustration.



PRODUCT-SPECIFIC NOTES

⚠ NOTE: *Observe the country-specific regulations for the registration/operation of your vehicle or applicable TÜV regulations. After assembly, have parts that are subject to registration entered in the vehicle documents by your test centre.*

⚠ NOTE: *The universal hole pattern of the GPS mount is compatible with most GPS systems, device holders, and SW-MOTECH Navi Cases Pro. In individual cases, the view of parts of the instruments can be restricted by the GPS systems used.*