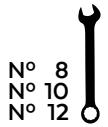


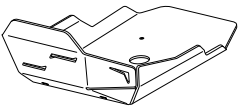
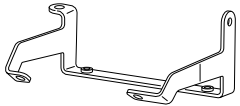
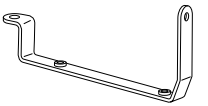

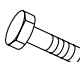
TRIUMPH TIGER 900 '20-

M O U N T I N G I N S T R U C T I O N S

REF 21577

OIL CARTER GUARD



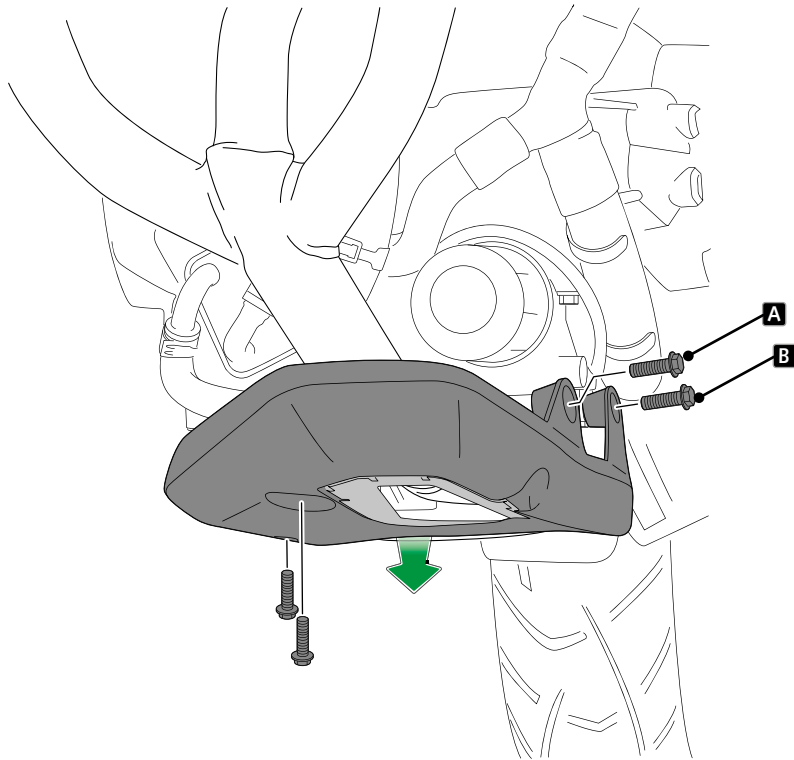
ID	PIEZA/PART	DESCRIPCIÓN	DESCRIPTION	QTY	REF
1		Protector de aluminio	Aluminum protection plate	1	SOPOR3P4PN21577
2		Soporte delantero	Front support	1	SOPOR3P4DN21577
3		Soporte trasero	Rear support	1	SOPO3P4TN21577
4		Tornillo M6 x16 DIN7991	M6 x16 DIN7991 screw	6	TORNI-D7991-544
5		Tornillo M6x20 DIN933	M6x20 DIN933 screw	1	TORNIED933-0034

TRIUMPH TIGER 900 '20-

INSTRUCCIONES DE MONTAJE - MOUNTING INSTRUCTIONS - MONTAGEANLEITUNG

1

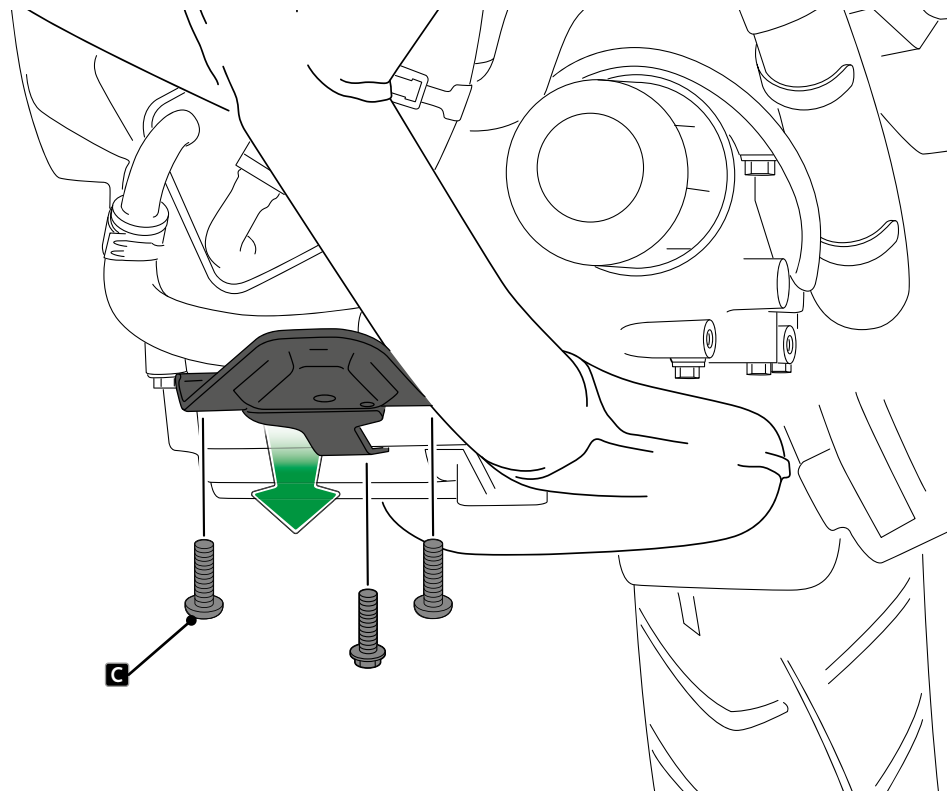
DISASSEMBLY
DESMONTAJE



A ORIGINAL SCREWS REQUIRED
B FOR ASSEMBLY

2

DISASSEMBLY
DESMONTAJE



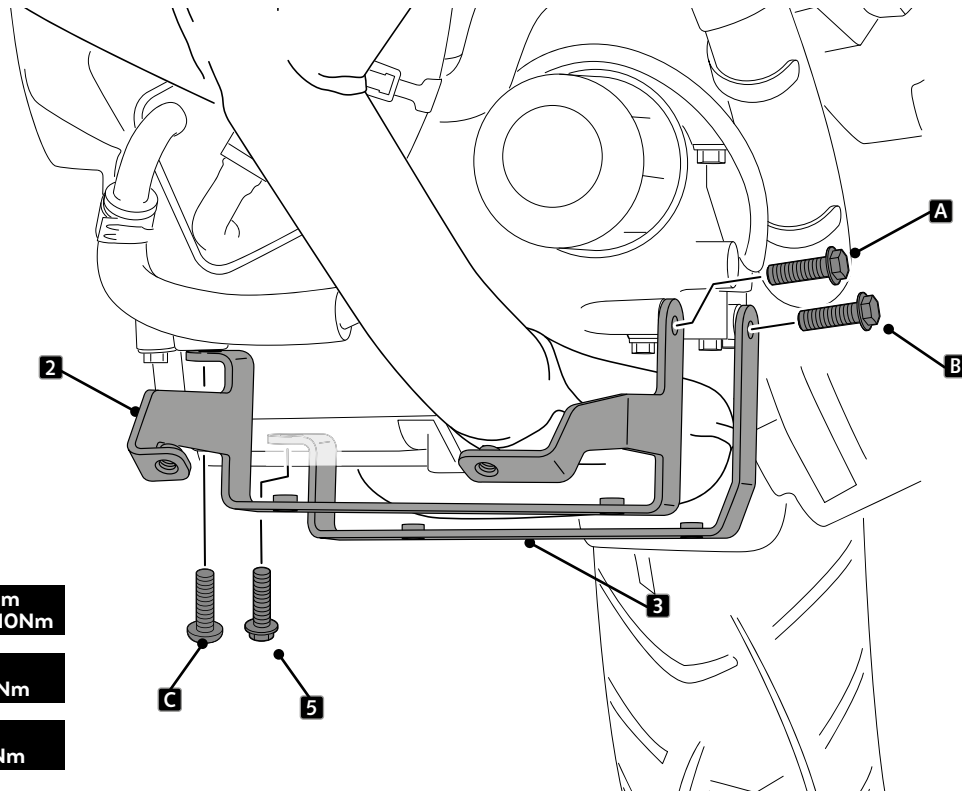
C ORIGINAL SCREW REQUIRED
FOR ASSEMBLY

TRIUMPH TIGER 900 '20-

INSTRUCCIONES DE MONTAJE - MOUNTING INSTRUCTIONS - MONTAGEANLEITUNG

3

ASSEMBLY
MONTAJE



A B C PIEZA ORIGINAL
ORIGINAL PART

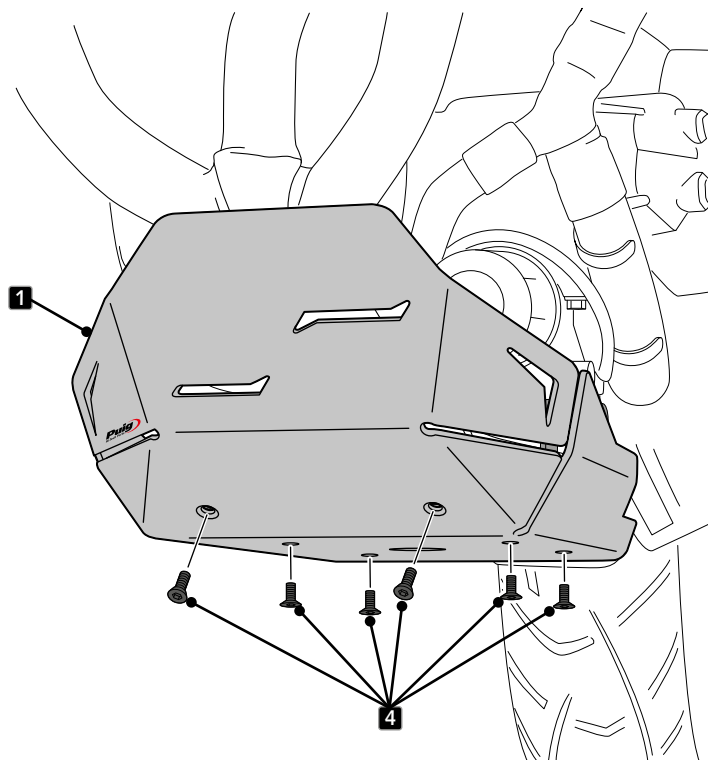
A B  Par de apriete - 10 Nm
Tightening torque - 10Nm


C  Par de apriete - 20 Nm
Tightening torque - 20Nm

5  Par de apriete - 10 Nm
Tightening torque - 10Nm

4

ASSEMBLY
MONTAJE



4  Par de apriete - 10 Nm
Tightening torque - 10Nm